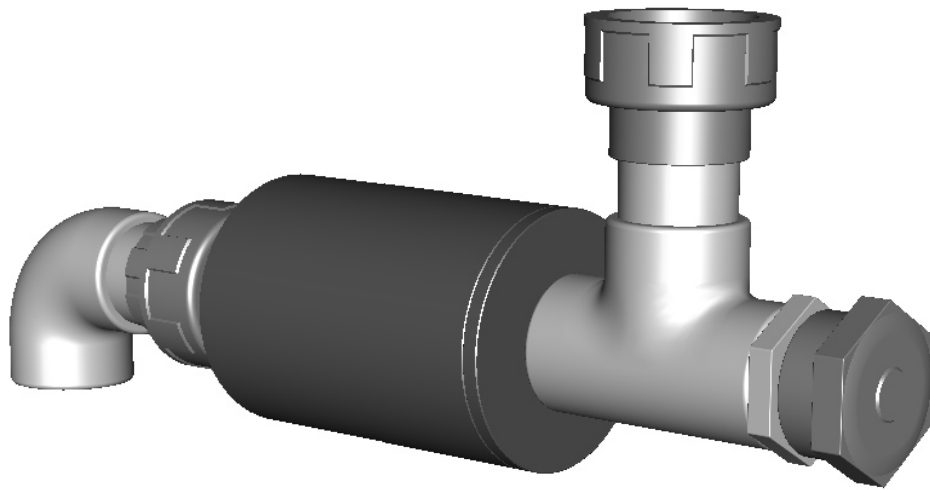




The compact **Envirotube** ERG range of water purifiers uses **bionomix** technology to destroy up to 99.95% of micro-organisms and organic contamination in water.

Our **UV-led** technology is exceptionally efficient, simple to use and easy to maintain, and is one of the most cost-effective ways of purifying water available.



Envirotube model: 100 ERG

No chemicals, just clean water

This state-of-the-art, chemical-free, environmentally friendly **UV-led** water purification system destroys organics and micro-organisms. Controlled tests showed 99.95% destruction of impurities.

Bionomix technology

The unique (patent pending) **bionomix** technology generates a mixture of UVA-UVb-UVc wavelengths to create a new highly effective nanotechnology treatment for water purification.

Controlled and cost effective

Because you don't need to keep replenishing expensive chemical supplies, the **Envirotube** is one of the most cost-effective purification solutions available, quickly paying for itself several times over during its lifespan.

SPECIFICATION *

010 ERG 020 ERG 030 ERG 040 ERG 060 ERG 080 ERG

Max. power consumption - Watts	5	8	11	14	18	22
Supply current at 230 volts AC - Amps	0.05	0.07	0.09	0.11	0.13	0.15
Supply current at 115 volts AC - Amps	0.1	0.14	0.18	0.22	0.26	0.3
Optical power - Watts per second	0.1	0.2	0.3	0.4	0.6	0.8
Relative optical power - Watts	36	72	108	144	216	288
Optical output - Milli Joules per cm ²	60	60	60	60	60	60
Flow rates - Cubic metres per hour	1	2	3	4	6	8
Typical pond/tank capacity - Litres	2,000	4,000	6,000	8,000	12,000	16,000
Envirotube overall size - LxØ in mm	450/115	450/115	450/115	450/115	500/115	500/115
Power supply unit size - LxWxD in mm	57/175/80	57/175/80	57/175/80	57/175/80	80/220/120	80/220/120
Total approximate weight - Kg	3.7	3.75	3.8	3.85	4.85	4.9

High efficiency levels

The **Envirotube** controls organics, green water, bacteria, viruses, parasites and algae.

Its **UV-led** technology neutralises not just up to 99.95% of organisms, but effectively removes the colouring they leave behind.

It's easy to adjust and needs no aggressive or expensive chemicals, with no toxic by-products to dispose of.



Envirotube 060 ERG power supply unit



Envirotube ERG range connecting leads

Energy saving benefits

There are considerable energy savings compared to UV fluorescents and lamps. Because the water flows through the **Envirotube** in very close proximity to the UV rays which do the work of destroying the bacteria and impurities, it consumes significantly less power, with improved destruction and increased lifespan.

The **bionomix** technology requires virtually no start-up time - simply switch it on and it begins working instantly.

The **bionomix** technology gives both ecological and economical advantage.

Installation & maintenance

The **Envirotube** can be installed in any water process that requires improved quality. The modular design makes it easy to install and maintain - each unit can be cleaned and replaced individually or as a set, depending on your requirements.

Simply fit each module before the filter and as the water passes through, the UV destroys the cells and causes them to flocculate, creating larger particles that are removed by the filter.

Further **Envirotube ERG** modules can be fitted in series or parallel, to suit your volume and flow requirements and is fully compatible with other treatments.

Electronicon Limited

Shelmer House
Canal Street
Wigston
Leicester
LE18 4PN
United Kingdom

T 0845 543 0318

E info@electronicon.ltd.uk

www.electronicon.ltd.uk

ELECTRONICON
innovation in technology

